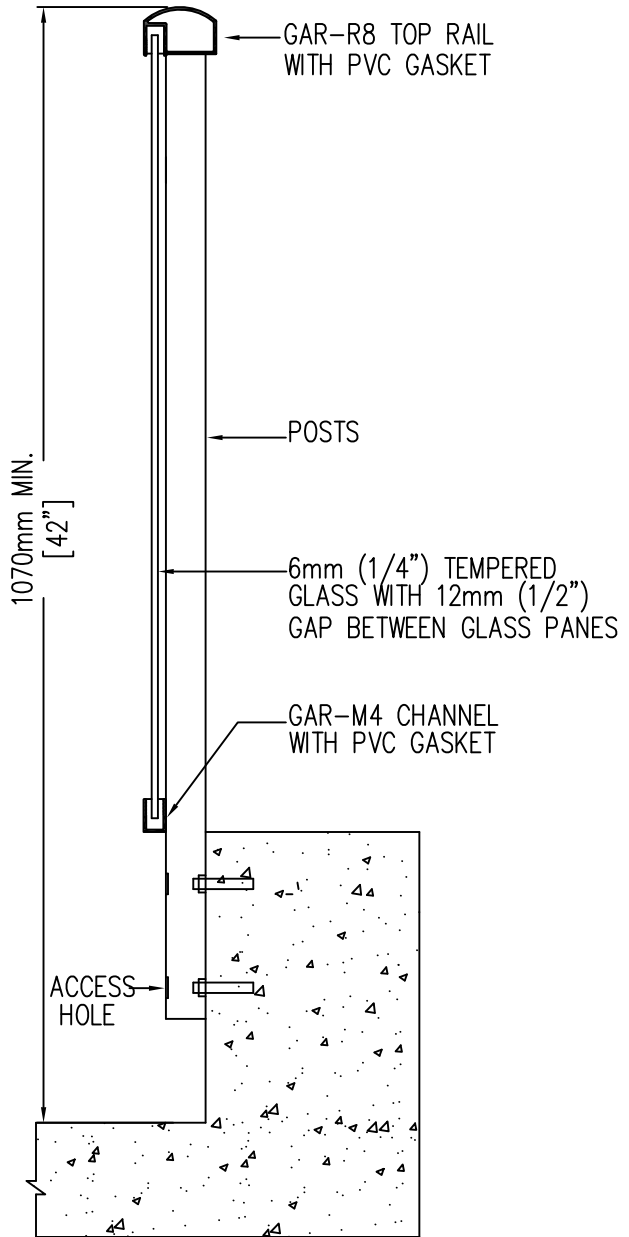
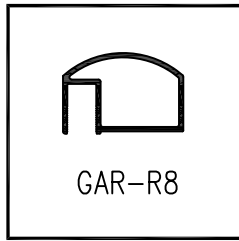


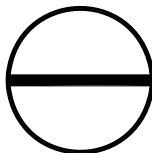
TOP RAIL PROFILE



BALCONY GUARD SECTION

NOTES:

1. INSTALLATION TO BE COMPLETED IN ACCORDANCE WITH MANUFACTURES SPECIFICATIONS.
2. DO NOT SCALE DRAWINGS
3. CONTRACTORS NOTE: FOR PRODUCT AND COMPANY INFORMATION VISIT www.grecoalrings.com



SIDEMOUNTED/ FULL GLASS INSIDE